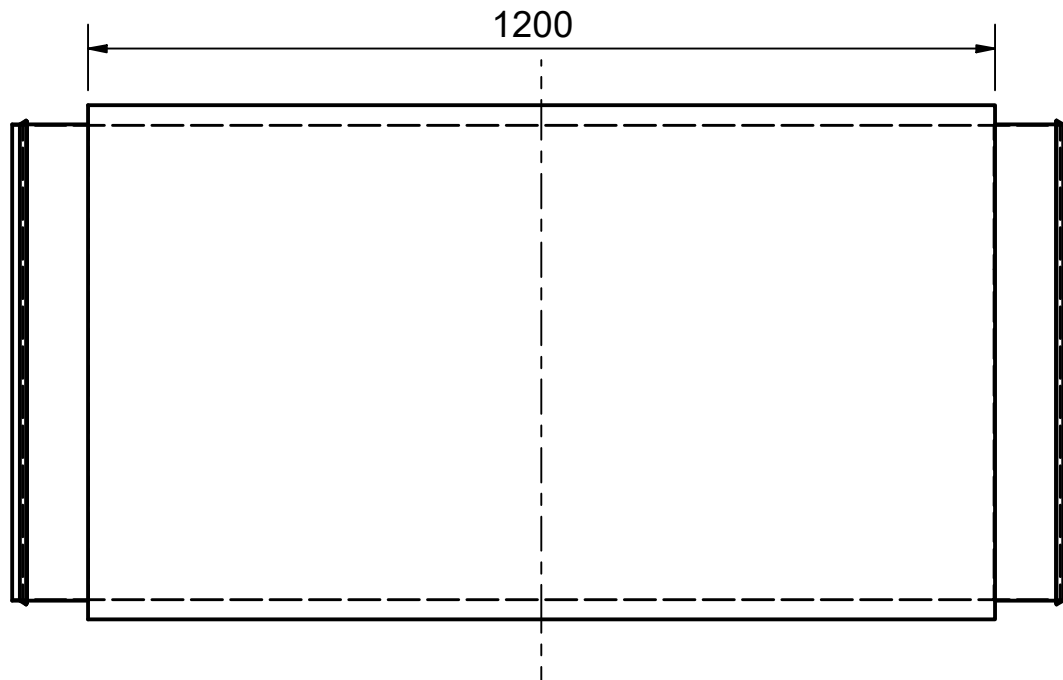
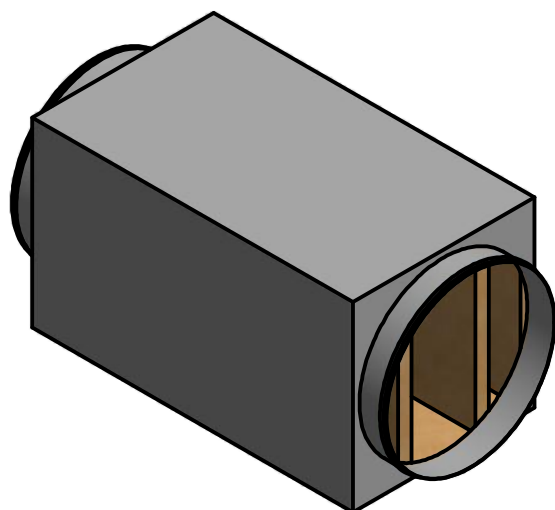




Ø630



1200



 GOL STÅL AS	Material	Generic	Designed by	Olav W Veslestølen	Date	18.02.2014	Scale	1 : 10	Sheet size	A4	
	Weight (Kg)	Title									
	REVISION	Rektangulær spiro lydelle Ø630 L=1200									
Design by			Drawing number			600164		Part number			GSLFS